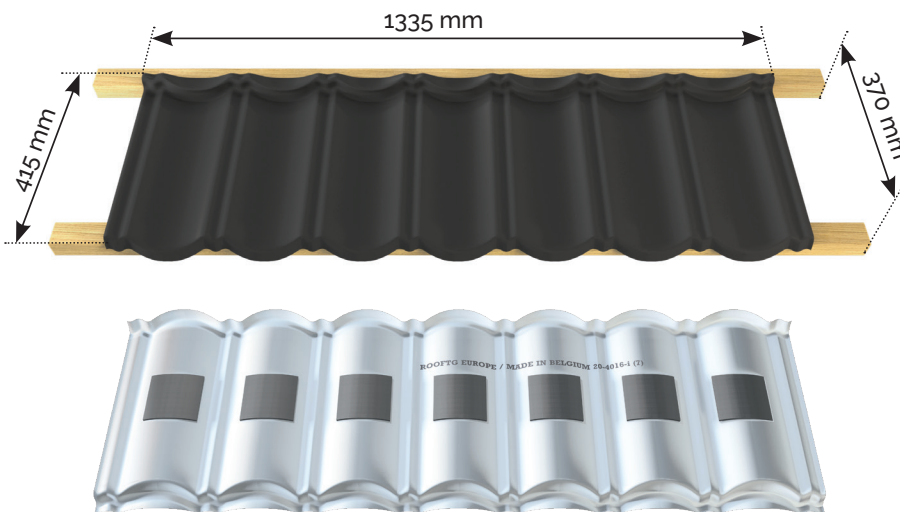
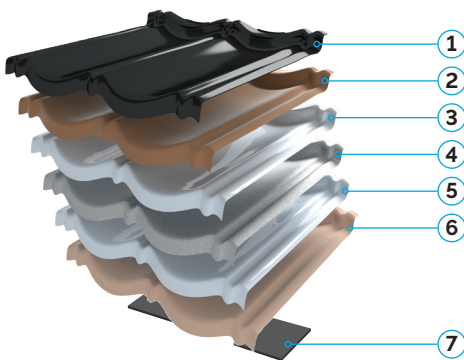


Design



Overall Length*	1335 mm
Length of Cover*	1260 mm
Overall Width*	415 mm
Width of Cover/Batten space	370 mm
Minimum pitch	12° (21%)
Maximum pitch	90°
Roof Cover*	0.465 m ²
Tiles per m ²	2.15
Weight/panel	2.46 kg
Weight/area	5.28 kg/m ²

Material structure



- 1 Super durable powder coating
- 2 Polyurethane primer
- 3 Zinc-aluminium-magnesium alloy
- 4 Steel
- 5 Zinc-aluminium-magnesium alloy
- 6 Polyester backer coating
- 7 Sound absorbing pads

Steel specification

The Decra Elegance Acoustic tile is made from pre primed zinc-aluminium-magnesium coated steel that when combined with the extra durable powder coating finish provides optimal performance. The grade of steel used is designed to allow pressing without cracking while at the same time is ridged enough to tolerate reasonable loads.

Steel Thickness	0.43 mm
Steel Grade	DX52D
Zinc-aluminium-magnesium Coating Mass	250 g/m ²
Zinc-aluminium-magnesium Coating Grade	ZM250

Coating specification

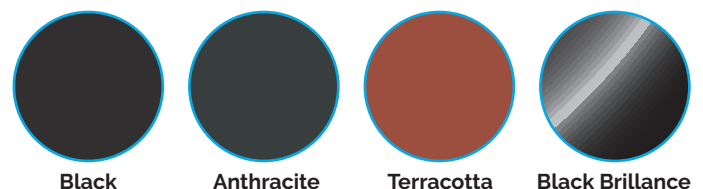
Polyester Powder Coating: The finish coating is an extremely durable High Gloss Polyester Powder Coating that is applied post pressing. This coating has proven durability retaining its high gloss finish for many years in all environments.

Polyurethane primer: The primer is applied by a coil coating process, this coating provides increased corrosion protection and a surface for superior adhesion of the Powder Coating that is applied.

Polyester Backer Coating: This coating provides increased durability to the underside of the tiles.

Sound absorbing pads: Decra Elegance Acoustic roof tile has special sound patches attached to its lower side for a perfect sound insulation.

Colours



Black

Anthracite

Terracotta

Black Brilliance